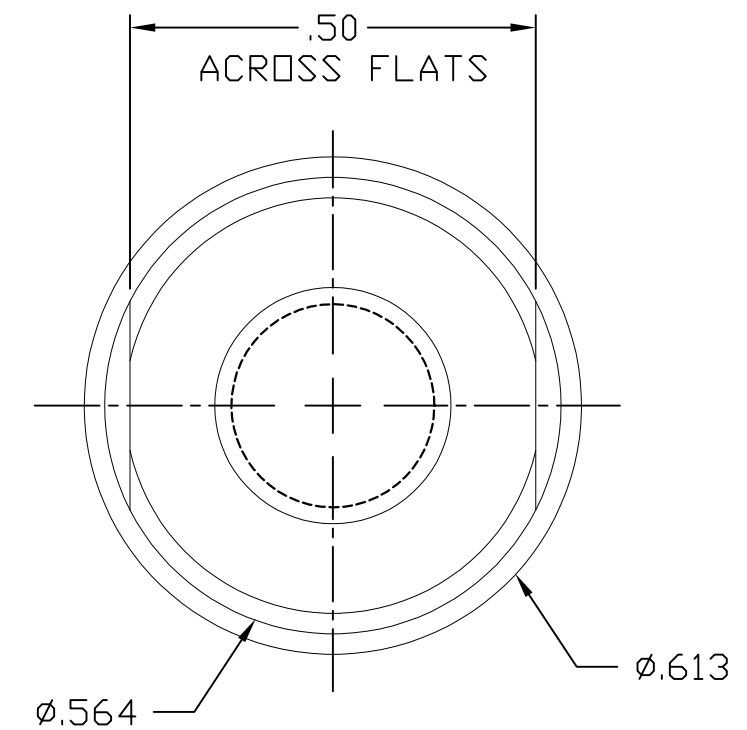
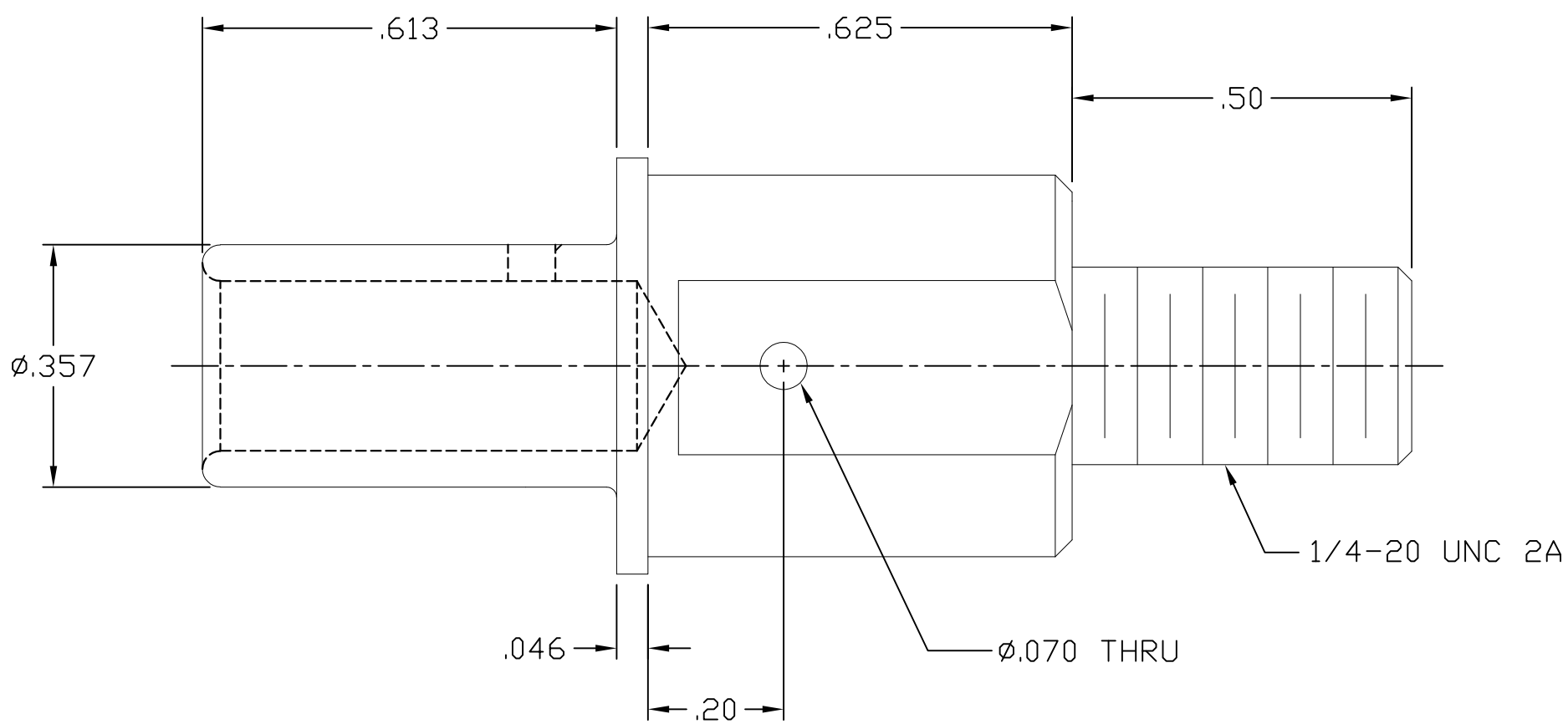


THIS DRAWING IS UNPUBLISHED. RELEASED FOR PUBLICATION
 © COPYRIGHT BY TYCO ELECTRONICS CORPORATION. ALL RIGHTS RESERVED.

| | | | | | | | |
|-----|------|-----------|-----|-----------------------|----------|-----|------|
| LOC | DIST | REVISIONS | | | | | |
| GP | 00 | P | LTR | DESCRIPTION | DATE | DWN | APVD |
| | | | C | REV PER ECO-08-000391 | 8JAN2008 | RG | DO |



3. FINISHES:
 PIN CONTACT: SILVER PLATE, .000200 MIN THICK
 OVER NICKEL, .000050 MIN THICK
2. MATERIAL:
 PIN CONTACT: COPPER ALLOY.
1. PART NUMBER CHANGES AND OR DESIGN CHANGES AFFECTING
 ITEM INTERCHANGEABILITY REQUIRE PRIOR TYCO ELECTRONICS
 APPROVAL AND AUTHORIZATION BY REVISION TO THIS DRAWING.

| | |
|-------------|-------------|
| AS SHOWN | 1766270-1 |
| DESCRIPTION | PART NUMBER |

| | | | | | | | |
|--|--|--|----------------|------------------|---|--------------------------|--|
| THIS DRAWING IS A CONTROLLED DOCUMENT. | | DWN | 3/24/06 | | Tyco Electronics Corporation Harrisburg, PA 17105-3608 | | |
| DIMENSIONS: INCHES | | CHK | RFA/GRZYBOWSKI | | | | |
| | | TOLERANCES UNLESS OTHERWISE SPECIFIED: | | APVD | | CONTACT, PIN, SIZE NO. 0 | |
| MATERIAL | | FINISH | | S.FLICKINGER | | 1/4-20 EXT THD. | |
| - | | - | | PRODUCT SPEC | | DOUBLE CROWN, DRAWERS | |
| | | | | APPLICATION SPEC | | RESTRICTED TO | |
| | | | | SIZE | | A3 | |
| | | | | CAGE CODE | | 00779 | |
| | | | | DRAWING NO | | C-1766270 | |
| | | | | WEIGHT | | - | |
| | | | | CUSTOMER DRAWING | | SCALE 4:1 | |
| | | | | | | SHEET 1 OF 1 | |
| | | | | | | REV C | |